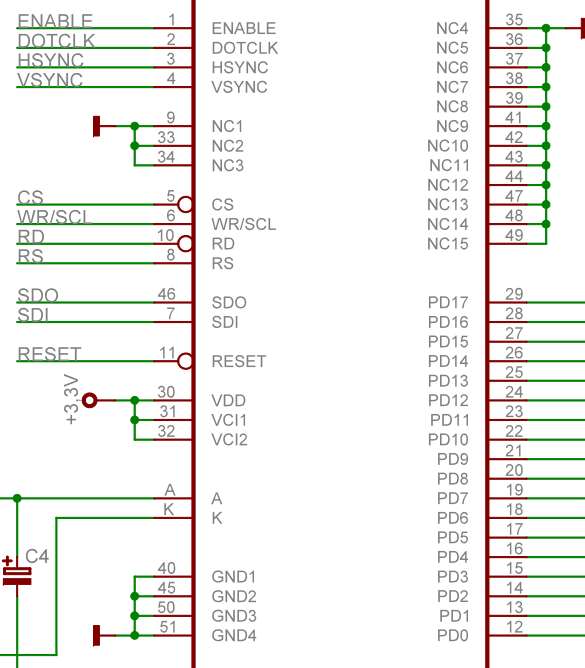
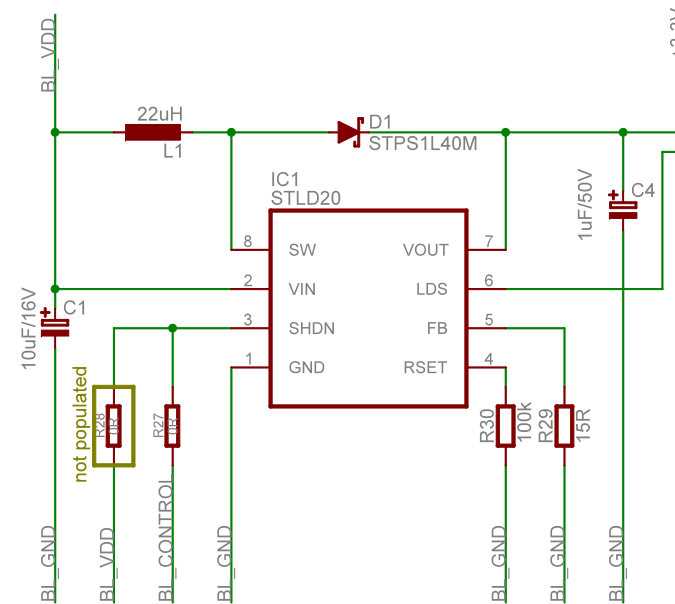
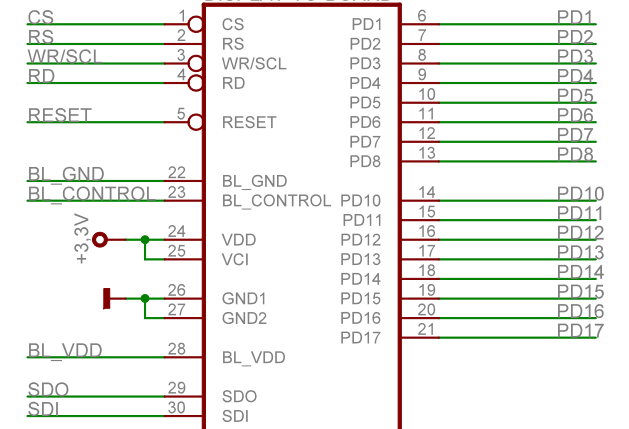


DISPLAY1
AM240320L8TNQW



P1
DISPLAY-TO-BOARD



KEIL SOFTWARE

Project-Version: MCBSTM32Edisplay-v2
 Date / Time: 04.07.2008 09:30:58
 Sheet: 1/1