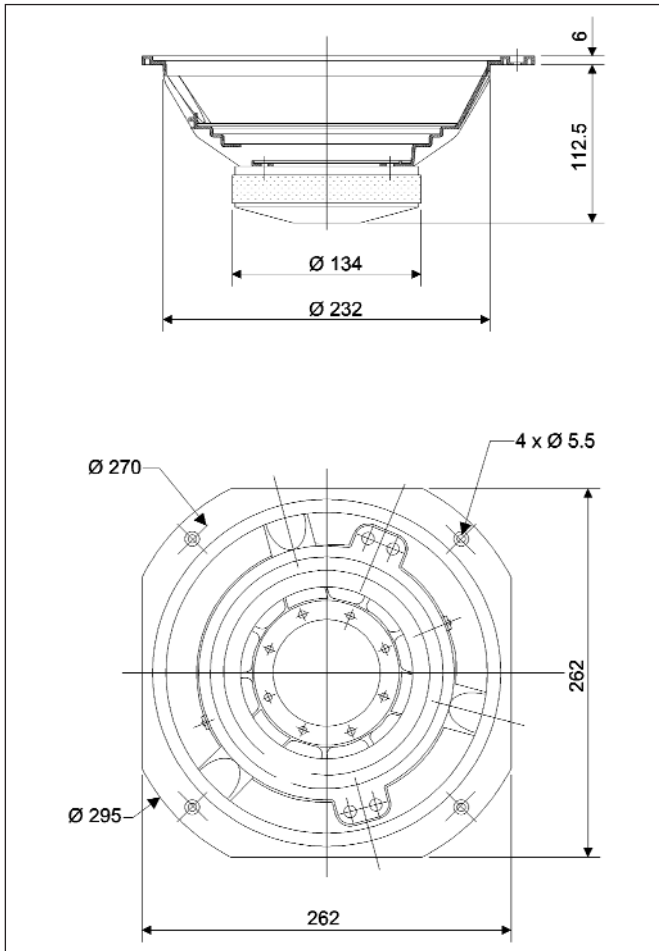


AUDIOPHILE SERIES

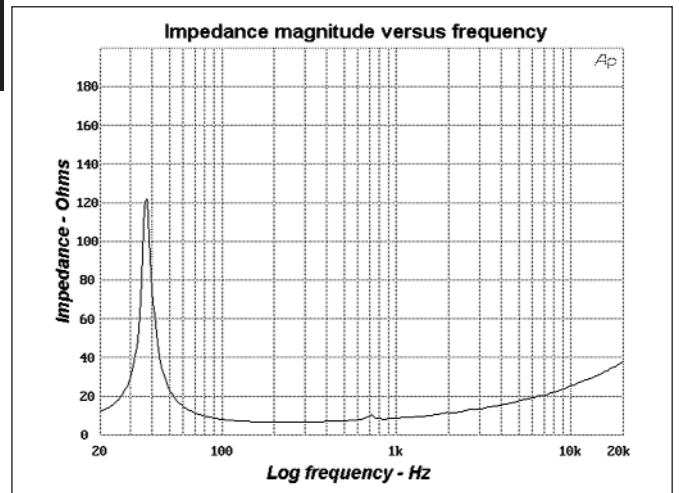
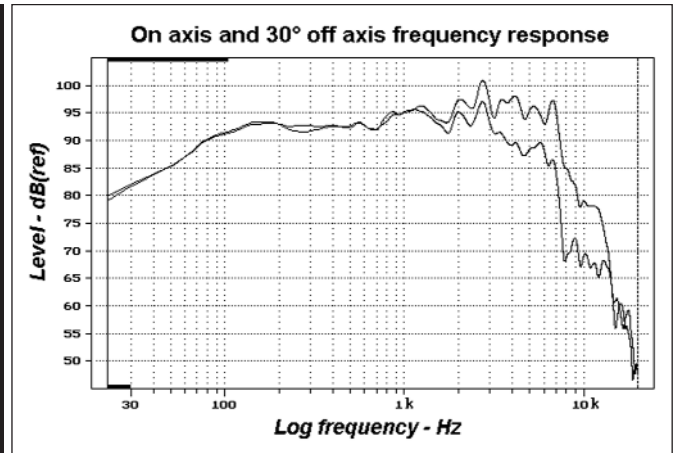
- Thick zamak alloy metal cast frame
- Straight profile Polyglass cone, large rubber surround
- Edgewound flat copper wire 40 mm voice coil, black Kapton™ former
- Efficiency : 93.1 dB
- High efficiency woofer for large vented 3-way systems



DRAWING



MEASUREMENTS



SPECIFICATIONS

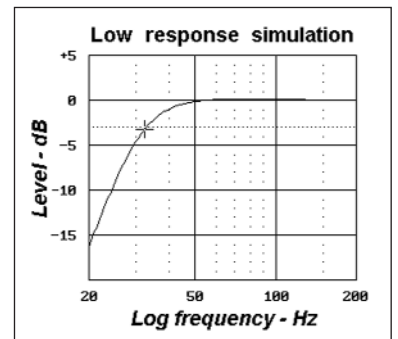
Nominal power handling	100	W
Program power handling	150	W
Sensitivity	93.1	dB (2.8V/1m)
Cone	Polyglass	
Surround	Rubber	
Nominal impedance	8	Ω
DC resistance	6.2	Ω
VC diameter	40	mm
VC height	13	mm
Former	Kapton™ MTB	
Layers	1	
Wire	Copper	
Inductance	0.51	mH
Xmax	3.5	mm
Magnet diameter x height	134 x 20	mm x mm
Magnet weight	1160	g
Flux density	1.52	T
Gap height	6	mm
Net weight	3.7	kg

PARAMETERS

Fs	32.9	Hz
Vas	116.9	l
Qts	0.38	
Qes	0.39	
Qms	11.95	
Re	6.0	Ω
Sd	356.3	cm ²
Cas	832E-9	m ² /N
Mas	28.2	kg/m ⁴
Ras	487.0	Ω .ac
Cms	655E-6	m/N
Mms	35.8	g
Rms	618	g/s
Ces	315.4	μ F
Les	74.4	mH
Res	183.5	Ω
Bl	10.7	N/A
SPL	92.1	dB/W/m

SIMULATION

Ql:	7	Ω
Rg:	0.8	
Qts (+Rg):	0.42	



Vb:	110	l
Fb:	31.8	Hz
F-3:	32.3	Hz